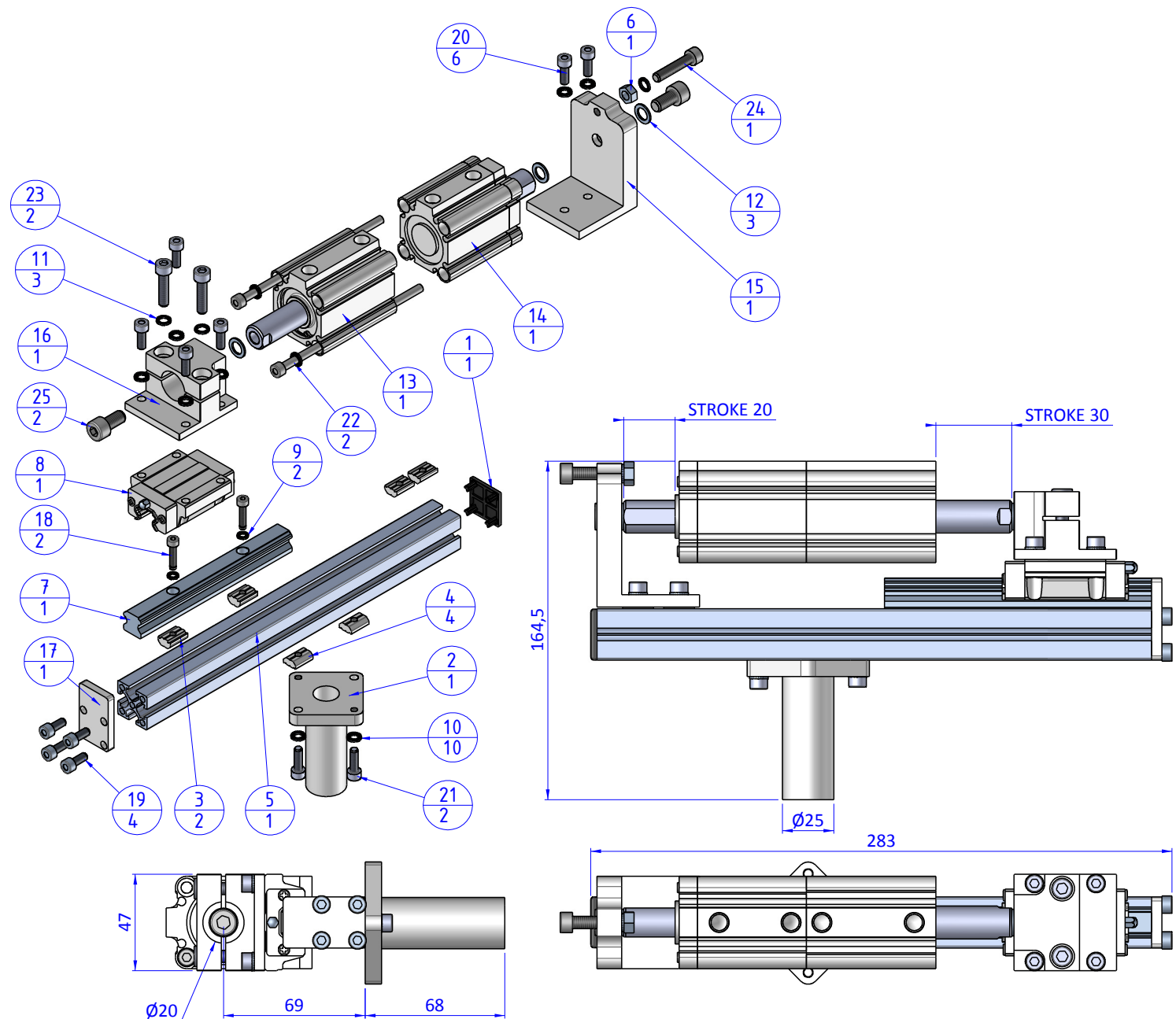



THE PROPERTY OF THE DRAWING IS ESTABLISHED BY LAW. IT IS FORBIDDEN TO PRODUCE OR SHOW IT TO THIRD PARTY, WITHOUT A WRITTEN AGREEMENT.

Item	Name	Q.ty
1	CA.ADK.X.2525.1	1
2	CA.ADZ.32.25	1
3	CA.GWP.4U	2
4	CA.GWP.5U	4
5	CA.X.2525.270	1
6	D.6	1
7	HI.HGR15.130	1
8	HI.HGW15CCZ0H	1
9	R.4.SCH	2
10	R.5.SCH	10
11	R.6.SCH	3
12	R.8.SCH	3
13	SMC.CDQ2B32TF-30DZ	1
14	SMC.CDQ2KB32TF-20DZ	1
15	UDHE.32.01	1
16	UDHE.32.02	1
17	UDHE.32.04	1
18	V.TCE4x18	2
19	V.TCE5x12	4
20	V.TCE5x14	6
21	V.TCE5x16	2
22	V.TCE5x120	2
23	V.TCE6x25	2
24	V.TCE6x30	1
25	V.TCE8x16	2



Format A3  
UNI 936-76

 <b>FPS</b> FPSERVICES AUTOMATION		DESIGNED FROM	REVIEW
		FPS Automation	A
GENERAL TOLERANCE	DESCRIPTION	DATE	WEIGHT
UNI - ISO 2768	CA.UDHE.32203020	28/06/2019	0,343kg
CLASSE F		CODE	
		CA.UDHE.32203020	